

# TURIN TUNNEL LIGHT טורינו

JRE6 series tunnel light, the appearance is modern and simple, the structure is simple and reasonable, easy to maintain is the purpose, reasonable optical design, humanized installation and maintenance structure, integrated modular product plan, fit for city tunnel, road tunnel etc.

CQC、CE、CB、RoHS、IP66





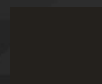
## TURIN TUNNEL LIGHT טורינו

r o u n d   g l o r i o u s

Use simple and modern design, meaning completeness and glorious

## TURIN TUNNEL LIGHT טורינו

The lamp surface is treated by electrostatic powder spraying coating, corrosion resistance, aging resistance and the color is elegant, Three color options



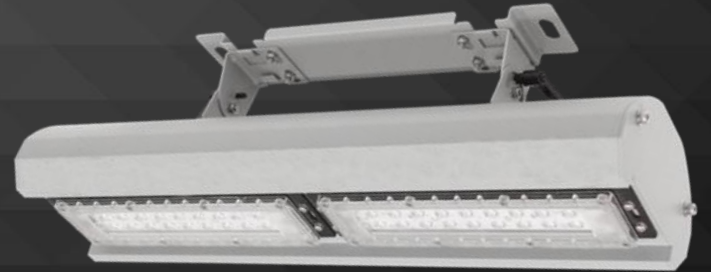
WHITE BLACK PEARL POWDER



# TURIN TUNNEL LIGHT טורינו



TURIN



TURIN-C

# TURIN STREET LIGHT טורינו

Streamline integrated surface could prevent dust and self-cleaning

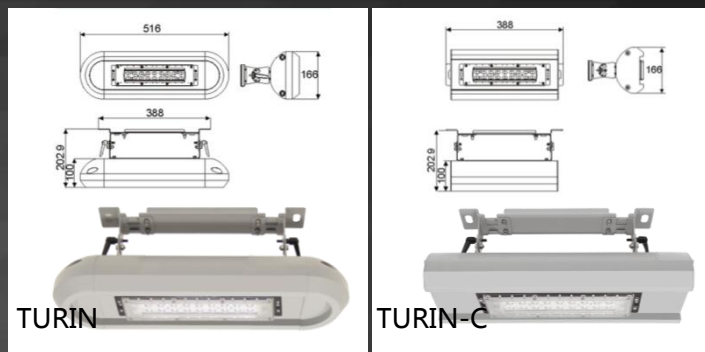


The lamp body uses integrated design, the surface is self-cleaning, the effective anti - dust.



# S 30/40/50/60W

Different product assortment , 9 different power selection



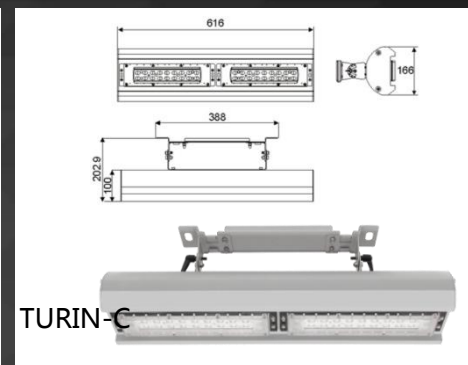
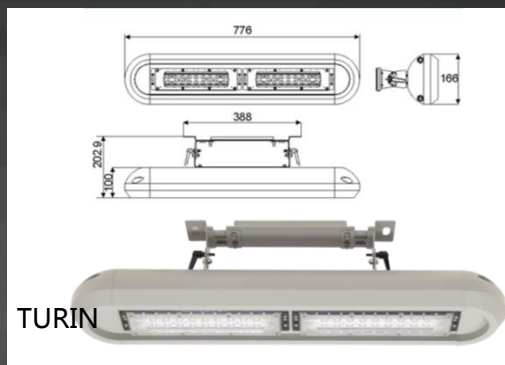
## technical parameter

	current (mA)	LED quantity	rated power	Color temperature (K)	original luminous flux (lm)	input voltage	frequency	power factor	CRI	working temperature	working humidity	LED life (h)	weight (kg)	gross weight (kg)	Package dimension (mm)
TURIN-30	525	18	31	3000 4000 6500	3080 3350 3610	AC200-240V	50/60Hz	PF>0.9	>70	-35~50°C	10~90%	70000	3.6kg	4.6kg	625x260x225
TURIN-40	700	18	41	3000 4000 6500	3900 4240 4580	AC200-240V	50/60Hz	PF>0.9	>70	-35~50°C	10~90%	70000	3.6kg	4.6kg	625x260x225
TURIN-50	850	18	50	3000 4000 6500	4530 4930 5320	AC200-240V	50/60Hz	PF>0.9	>70	-35~50°C	10~90%	70000	3.8kg	5.0kg	625x260x225
TURIN-60	1050	18	60	3000 4000 6500	5230 5680 6140	AC200-240V	50/60Hz	PF>0.9	>70	-35~50°C	10~90%	70000	3.8kg	5.0kg	625x260x225

# M 80/100/120W



Different product assortment , 9 different power selection



## technical parameter

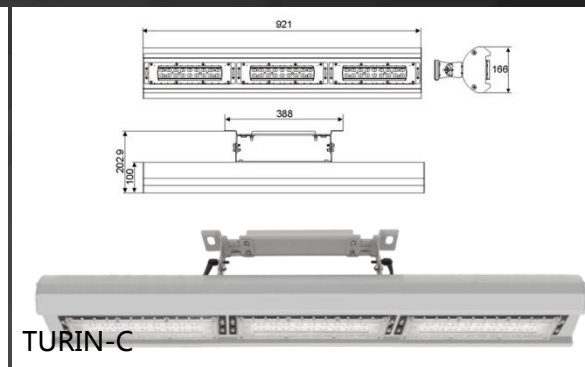
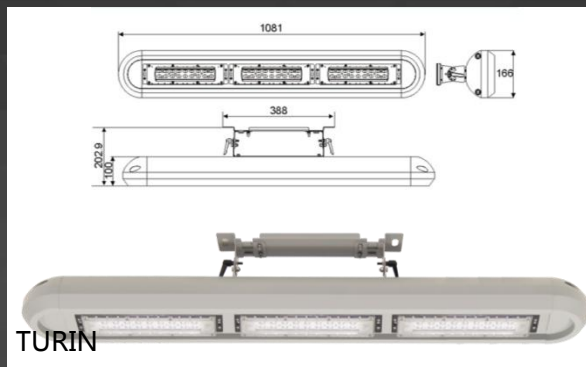
	current (mA)	LED quantity	rated power	Color temperature (K)	original luminous flux (lm)	input voltage	frequency	power factor	CRI	working temperature	working humidity	LED life (h)	weight (kg)	gross weight (kg)	Package dimension (mm)
TURIN-80	700	36	80	3000 4000 6500	7800 8480 9160	AC200-240V	50/60Hz	PF>0.9	>70	-35~50°C	10~90%	70000	5.8kg	7.0kg	835x260x225
TURIN-100	850	36	98	3000 4000 6500	9060 9850 10640	AC200-240V	50/60Hz	PF>0.9	>70	-35~50°C	10~90%	70000	5.8kg	7.0kg	835x260x225
TURIN-120	1050	36	122	3000 4000 6500	10460 11370 12280	AC200-240V	50/60Hz	PF>0.9	>70	-35~50°C	10~90%	70000	6kg	7.2kg	835x260x225

# L 150/180W

Different product assortment , 9 different power selection



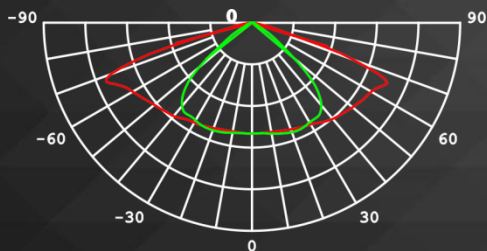
## technical parameter



	current (mA)	LED quantity	rated power	Color temperature (K)	original luminous flux (lm)	input voltage	frequency	power factor	CRI	working temperature	working humidity	LED life (h)	weight (kg)	gross weight (kg)	Package dimension (mm)
TURIN-150	850	54	148	3000 4000 6500	13590 14770 15960	AC200-240V	50/60Hz	PF>0.9	>70	-35~50°C	10~90%	70000	7.8kg	9.0kg	1140x260x225
TURIN-180	1050	54	180	3000 4000 6500	15690 17060 18420	AC200-240V	50/60Hz	PF>0.9	>70	-35~50°C	10~90%	70000	7.8kg	9.0kg	1140x260x225

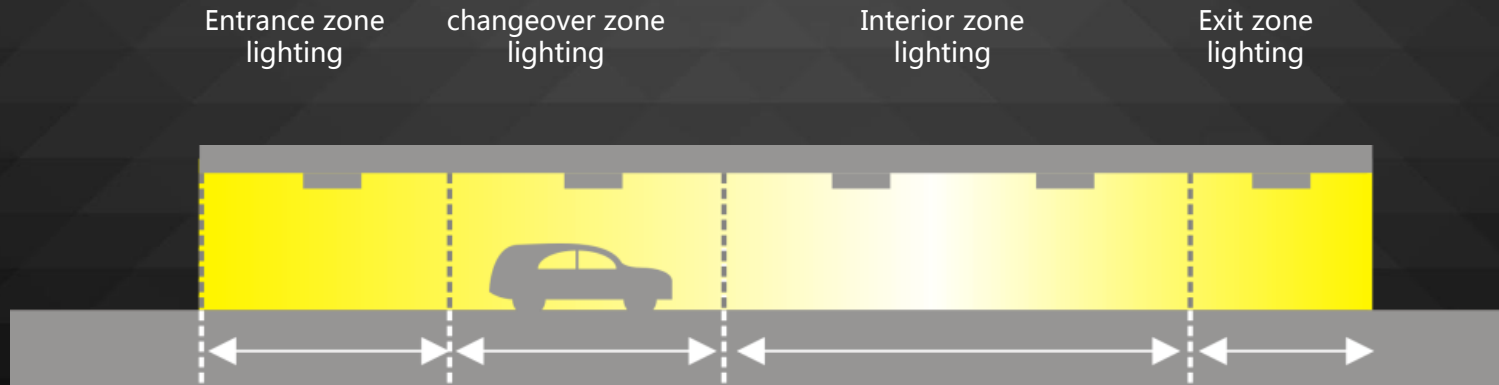
## Optical Design

The lamp surface by electrostatic powder spraying coating, corrosion resistance, aging resistance and elegant color, Three color options.



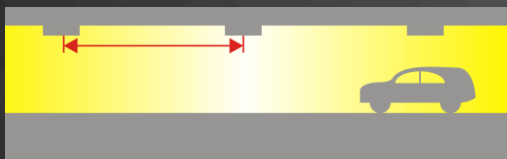
# Solution

The TURIN combined LED tunnel light offers a perfect solution to city and road tunnel , it including t the entrance, interior and exit zone lighting



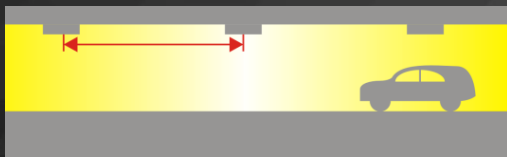
# Standard Design

【一】



Design speed 80km/h  
 Mounting spacing  $\geq 9.3\text{m}$  or  $< 1.5\text{m}$

【二】



Design speed 60km/h  
 Mounting spacing  $\geq 6.9\text{m}$  or  $< 1.1\text{m}$

【三】



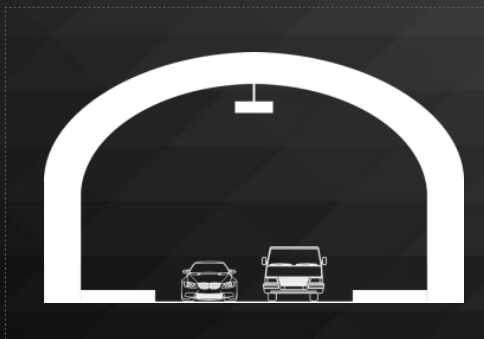
Design speed 40km/h  
 Mounting spacing  $\geq 4.6\text{m}$  or  $< 0.7\text{m}$

## Multiple Installation

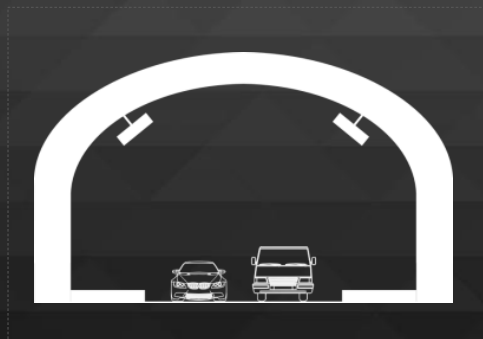
The TURIN tunnel light can be fitted to Various types of mounting systems. This very versatile lamp is designed to be used in all kinds of tunnels, whatever the height and the number of lanes.



### method 1



### method 2



### method 3

